

DETAIL A

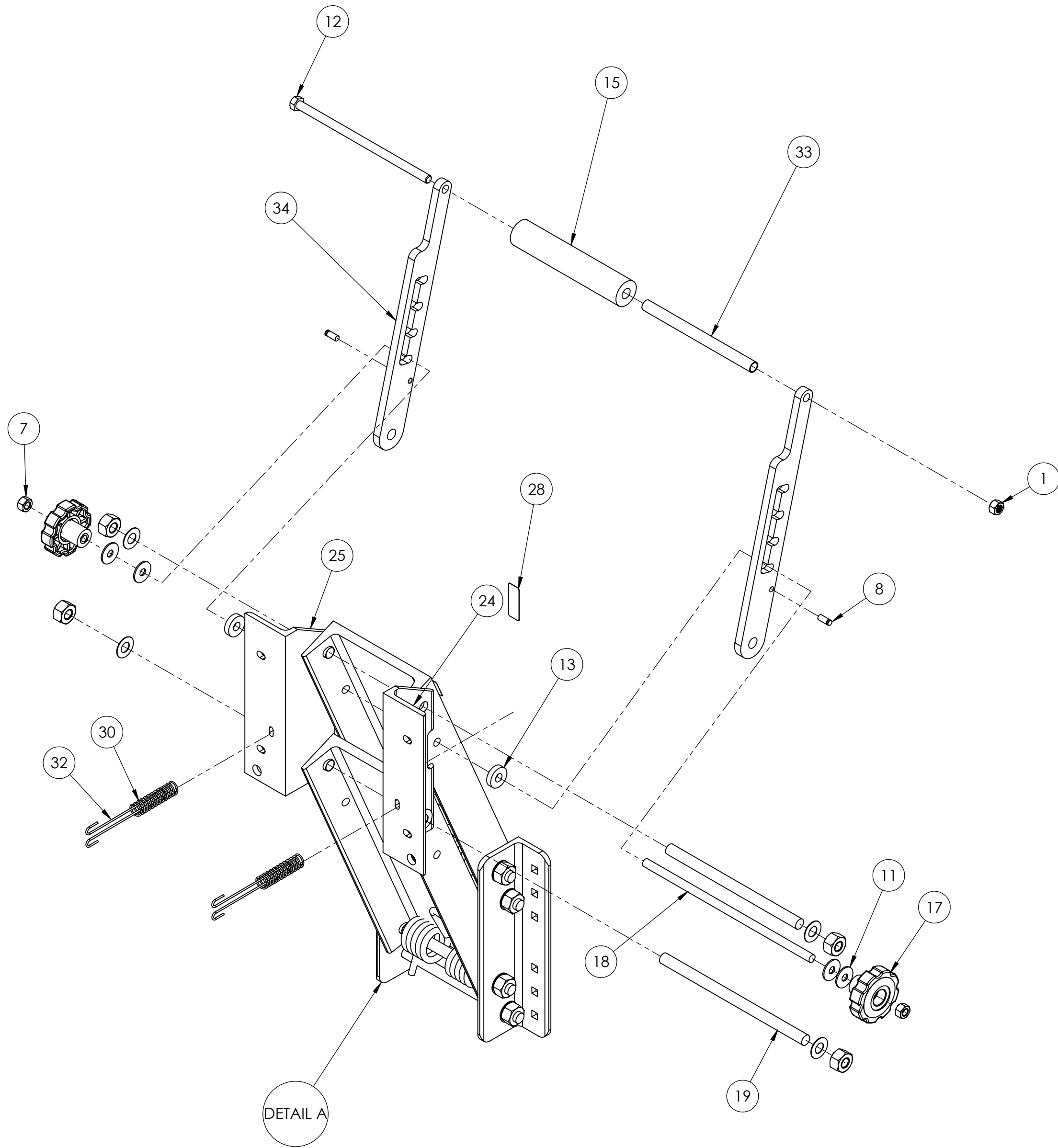
UNLESS OTHERWISE SPECIFIED:
 DIMENSIONS ARE IN INCHES
 TOLERANCES:
 FRACTIONAL ± 1/32
 ANGULAR: MACH ± 1 BEND ± 1
 ONE PLACE DECIMAL ± .020
 TWO PLACE DECIMAL ± .010
 THREE PLACE DECIMAL ± .005
 INTERPRET GEOMETRIC TOLERANCING PER: ANSI/ASME Y14.5M

NAME	DATE
DRAWN	GEO 8/7/2007
CHECKED	TWM 8/15/2007
ENG APPR.	TWM 8/15/2007
MFG APPR.	EDE 8/15/2007
Q.A.	AME 8/15/2007



GARELICK	
644 SECOND STREET ST. PAUL PARK, MN 55071	
TITLE: MOTOR BRACKET ALUM	
SIZE C	DWG. NO. 71091
SCALE: 1:2, RELEASE: CN896	REV C
SHEET 2 OF 4	

THIRD ANGLE PROJECTION

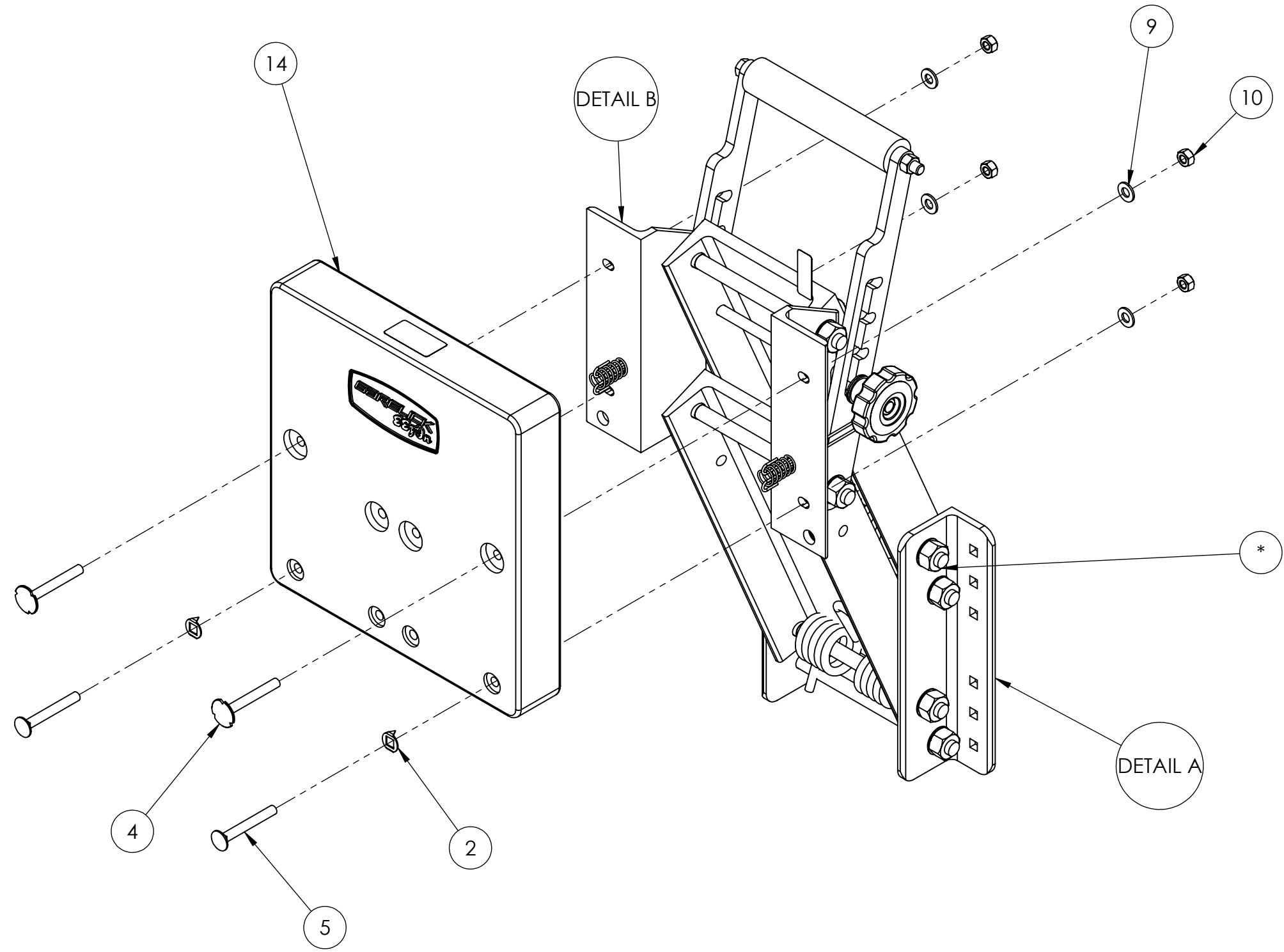
PROPRIETARY AND CONFIDENTIAL
 THE INFORMATION CONTAINED IN THIS DRAWING IS THE SOLE PROPERTY OF GARELICK MFG. CO.. ANY REPRODUCTION IN PART OR AS A WHOLE WITHOUT THE WRITTEN PERMISSION OF GARELICK MFG. CO. IS PROHIBITED.



DETAIL B

UNLESS OTHERWISE SPECIFIED:		NAME	DATE	GARELICK  644 SECOND STREET ST. PAUL PARK, MN 55071
DIMENSIONS ARE IN INCHES		DRAWN	GEO 8/7/2007	
TOLERANCES:		CHECKED	TWM 8/15/2007	TITLE: MOTOR BRACKET ALUM
FRACTIONAL $\pm 1/32$		ENG APPR.	TWM 8/15/2007	
ANGULAR: MACH ± 1 BEND ± 1		MFG APPR.	EDE 8/15/2007	
ONE PLACE DECIMAL $\pm .020$		Q.A.	AME 8/15/2007	
TWO PLACE DECIMAL $\pm .010$		PROPRIETARY AND CONFIDENTIAL THE INFORMATION CONTAINED IN THIS DRAWING IS THE SOLE PROPERTY OF GARELICK MFG. CO.. ANY REPRODUCTION IN PART OR AS A WHOLE WITHOUT THE WRITTEN PERMISSION OF GARELICK MFG. CO. IS PROHIBITED.		
THREE PLACE DECIMAL $\pm .005$		SIZE DWG. NO. REV C 71091 C		
INTERPRET GEOMETRIC TOLERANCING PER: ANSI/ASME Y14.5M		SCALE: 1:4 RELEASE: CN896 SHEET 3 OF 4		
MATERIAL SEE NOTE SECTION				
FINISH SEE NOTE SECTION		DO NOT SCALE DRAWING		

71091



DETAIL C

UNLESS OTHERWISE SPECIFIED:
 DIMENSIONS ARE IN INCHES
 TOLERANCES:
 FRACTIONAL $\pm 1/32$
 ANGULAR: MACH ± 1 BEND ± 1
 ONE PLACE DECIMAL $\pm .020$
 TWO PLACE DECIMAL $\pm .010$
 THREE PLACE DECIMAL $\pm .005$
 INTERPRET GEOMETRIC TOLERANCING
 PER: ANSI/ASME Y14.5M
 MATERIAL
 SEE NOTE SECTION
 FINISH
 SEE NOTE SECTION
 DO NOT SCALE DRAWING

	NAME	DATE
DRAWN	GEO	8/7/2007
CHECKED	TWM	8/15/2007
ENG APPR.	TWM	8/15/2007
MFG APPR.	EDE	8/15/2007
Q.A.	AME	8/15/2007

GARELICK / *EEJ-In*
 644 SECOND STREET
 ST. PAUL PARK, MN 55071



TITLE:
MOTOR BRACKET ALUM

PROPRIETARY AND CONFIDENTIAL
 THE INFORMATION CONTAINED IN THIS
 DRAWING IS THE SOLE PROPERTY OF
 GARELICK MFG. CO.. ANY
 REPRODUCTION IN PART OR AS A WHOLE
 WITHOUT THE WRITTEN PERMISSION OF
 GARELICK MFG. CO. IS PROHIBITED.

SIZE	DWG. NO.	REV
B	71091	C

SCALE: 1:4 RELEASE: CN896 SHEET 4 OF 4

