



# Instructions for: 18119

## 1-3 STEP TRANSOM LADDER

12.633

Thank you for selecting our superior quality Garelick EEz-In Brand Boarding Ladder. Your ladder is designed and manufactured using the finest material available to provide long product life. Choosing the proper size ladder for location and correct fit is important to assure safe, convenient, and reliable use.

Although mounting hardware is not provided due to the wide variety of applications and diversity of boat shapes and sizes mounting holes have been provided and it is recommended to use at a minimum 1/4" diameter fasteners. These fasteners should be through bolted with a backing plate.

### SAFETY GUIDELINES

- No jumping or diving!
- Do not use when motor is running
- This ladder designed for boat use only
- Face ladder when entering boat or water
- Only one person on ladder at a time
- Check all steps and hardware before using
- Never operate your boat with the ladder in "down" position. Serious injury or damage to your boat or ladder may result.
  - **When underway, fold ladder up and insert back into tube ensuring locking pin snaps into place.**

### MAINTENANCE

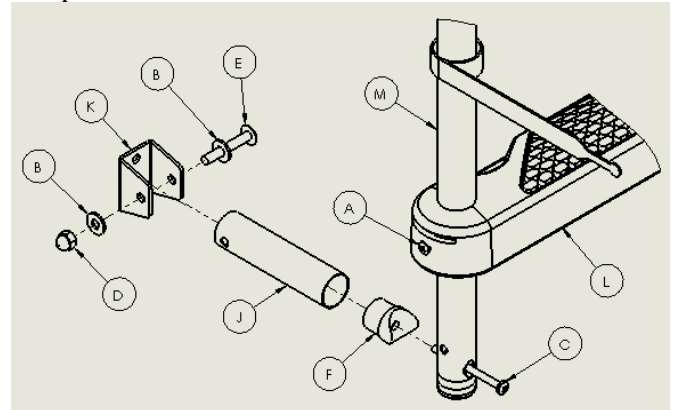
- **Safety tip**  
Periodically check mounting hardware and re-tighten (due to normal boat operation.)
- **Keep that bright finish!**  
Local weather conditions may contribute to minor corrosion. Stainless, like other metals, is not completely free from corrosion attack. Regular fresh water rinsing and periodic cleaning with a mild abrasive cleaner will help to retain luster.

### Assembly / Installation Instructions:

**Note: Read all instructions completely before starting installation.**

PARTS LIST			
REF LETTER	PART NO	QTY	DESCRIPTION
A	03.103	2	SMS PPH SS 10 X 2"
B	03.184	16	Wshr SS 1/4"
C	03.202	2	Screw PPH SS 10-24 x 2 1/2"
D	03.662	8	1/4-20 SS Acorn Lock Nut
E	03.842	8	Screw PTH SS 1/4-20 x 1.63
F	06.031	2	Tube Connector
G	49.205	1	Velcro Strap
H	50.124	2	Hinge
J	50.324	2	Standoff Assembly
K	50.455	4	"U" Mtg Bracket
L	60.755	1	Step
M	60.827	2	Top Vertical
N	NA	1	Lower Ldr Section Assembly

**Step 1:** Using "Figures 1, 2, and 3" assemble the top section of the ladder assembly. It is recommended that fasteners be kept loose until final fit-up to your boat is complete.



**Figure 1: Standoff / Step Assembly**

Write for  
A complete  
EEz-In Catalog

Garelick Mfg. Co.  
644 2<sup>ND</sup> Street, P.O. Box 8  
St. Paul Park, Minnesota 55071

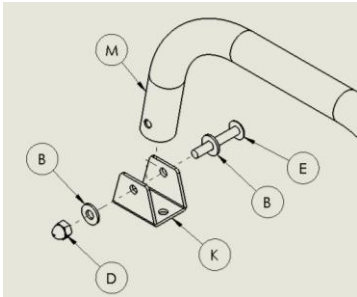
Phone: 651-459-9795  
E-mail: mail@garelick.com  
Website: www.garelick.com

Rev A 09/11

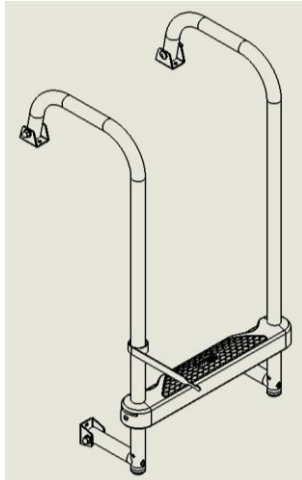


Instructions for: 18119  
**1-3 STEP TRANSOM LADDER**

12.633

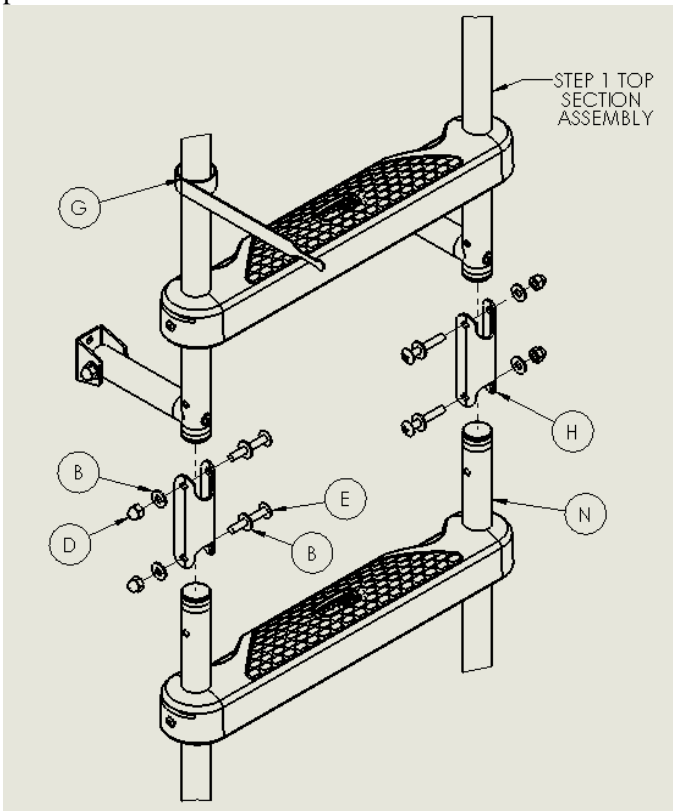


**Figure 2: Top Mounting Bracket Assembly**



**Figure 3: Top Section Assembly**

**Step 2:** Attach the top sections of the ladder to the lower section assembly as shown in “Figure 4” using provided hardware.

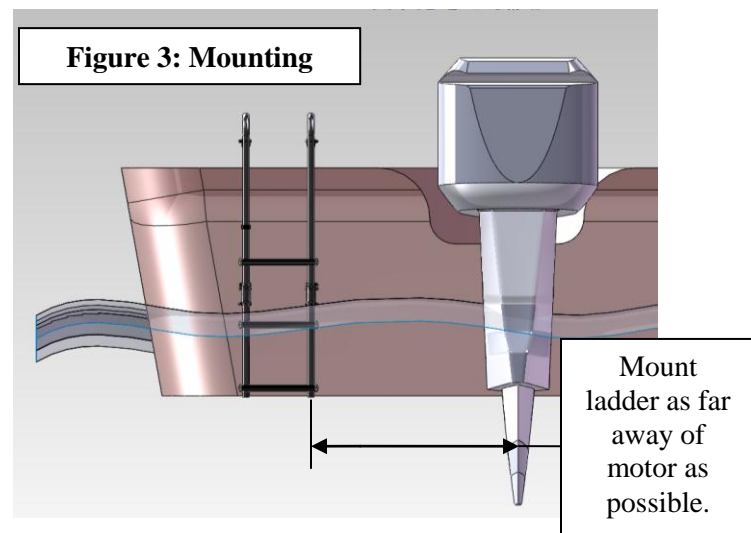


**Figure 4: Ladder Assembly**

**Step 3:** Choose the most suitable side of transom for mounting ladder. Locate a place on the transom where all four tube ends of the ladder make contact with the boat and will not interfere with the operation of the motor or have potential for injury. Also, ensure that prior to mounting the ladder that there are NO electrical wires, hydraulic hoses, water hoses or steering cables in the selected mounting location. In addition, check to see that the transom area is sufficiently strong enough to support the ladder while it is in use. If necessary, a backing plate may need to be installed to reinforce the area where the ladder is to be located.

**WARNING:** If you have questions to the integrity of your boat or to the location of unseen equipment such as wiring or hoses then it is imperative that you contact the boat manufacturer prior cutting into your boat.

**Step 4:** Place ladder so that when folded down, bottom step should ideally be in water, however, when folded up the ladder is out of water.



**NOTES:** When mounting the ladder keep step surface parallel to the water and perpendicular to centerline of the boat as shown in “Figure 3”. If necessary, modify the “L” standoffs from the top assembly by cutting the tube rail to desired length and drilling a 1/4” cross-hole 1/2” from the end.

Write for  
 A complete  
 EEz-In Catalog

Garelick Mfg. Co.  
 644 2<sup>ND</sup> Street, P.O. Box 8  
 St. Paul Park, Minnesota 55071

Phone: 651-459-9795  
 E-mail: mail@garelick.com  
 Website: www.garelick.com

Rev A 09/11



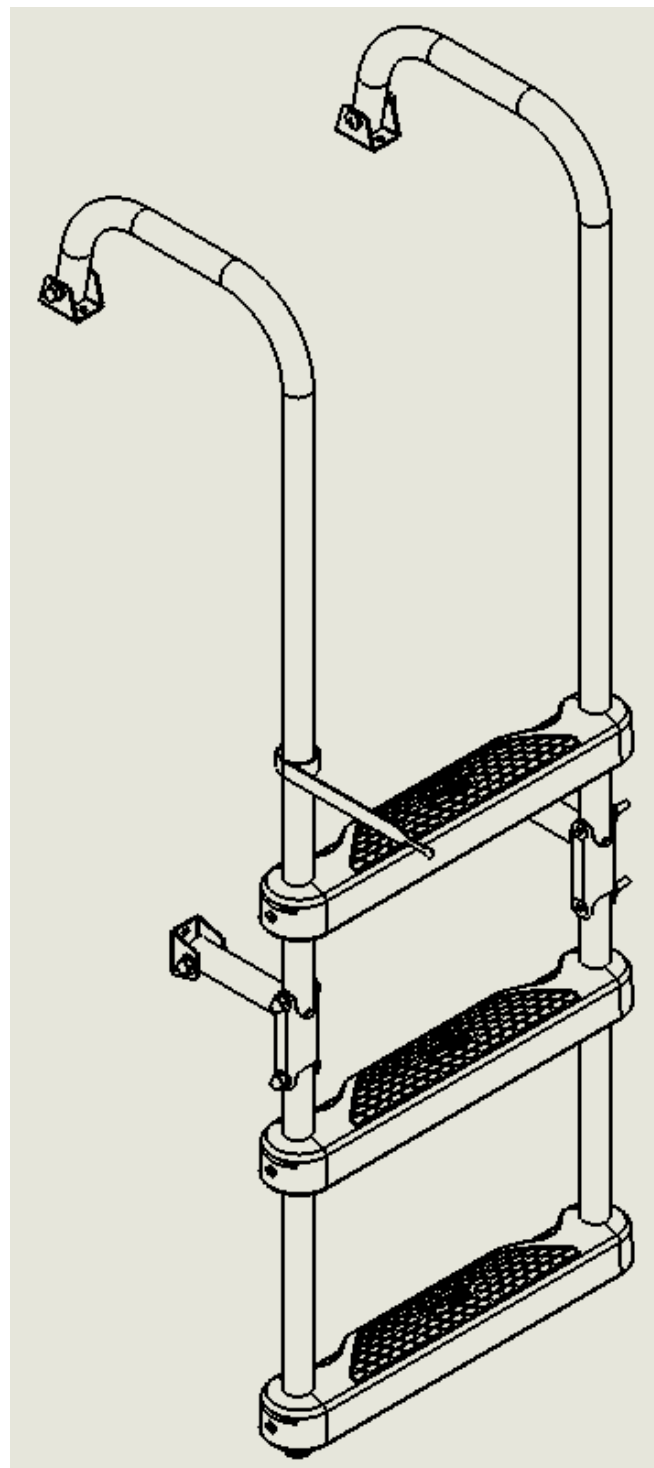
Instructions for: 18119  
**1-3 STEP TRANSOM LADDER**

12.633

**Step 5:** Locate and mark where the mounting brackets attach to the boat. Due to difference in transom widths across boating manufacturers mounting hardware has not been provided.

**Step 6:** Attach mounting brackets to boat transom and secure the ladder in place by tightening all hardware and ensuring smooth operation.

**Step 7:** Ladder is now ready for use.



Write for  
A complete  
EEz-In Catalog

Garelick Mfg. Co.  
644 2<sup>ND</sup> Street, P.O. Box 8  
St. Paul Park, Minnesota 55071

Phone: 651-459-9795  
E-mail: [mail@garelick.com](mailto:mail@garelick.com)  
Website: [www.garelick.com](http://www.garelick.com)  
Rev A 09/11