

## Assembly and Operating Instructions for

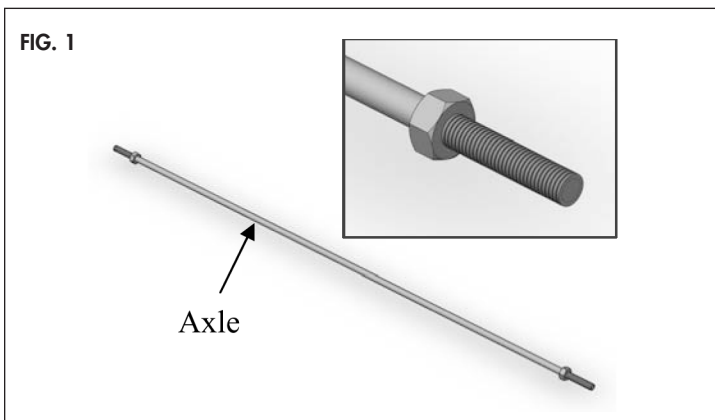
# Roof Snow Rake – Snow Trap Series Models 89516 & 89521



### ASSEMBLY INSTRUCTIONS

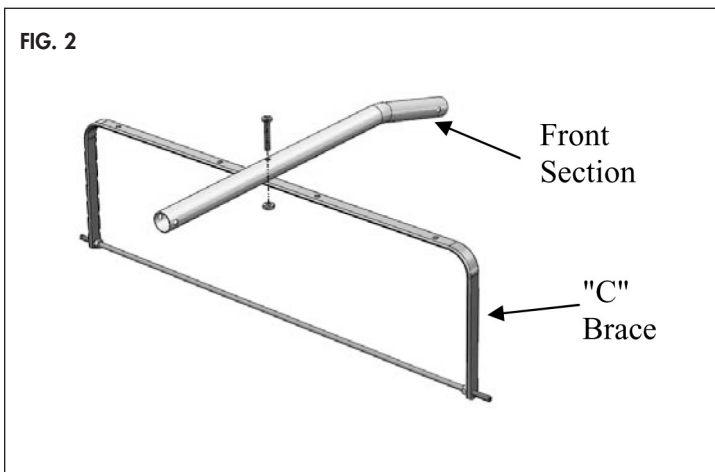
#### Refer to Figure 1

1. Thread (2) 1/4-20 nuts (non-locking) onto both ends of the axle as shown.



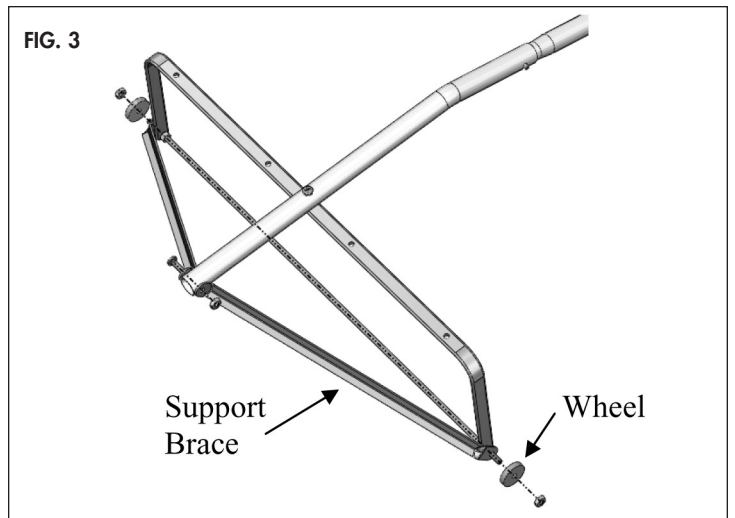
#### Refer to Figure 2

2. Place the "C" brace over the axle.
3. Using one of the 1/4-20 bolts and a (1) 1/4-20 locknut, attach the front section pole to the "C" brace.



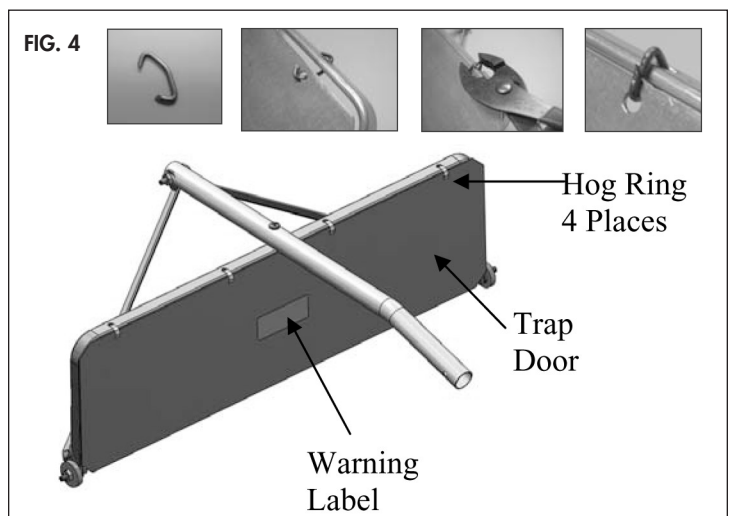
#### Refer to Figure 3

4. Using the other 1/4-20 bolt and (1) 1/4-20 locknut, attach (2) support braces to the front section.
5. Place the opposite ends of the support braces over the axle, insert the wheels over the axle, and secure in place with (2) 1/4-20 locknuts. **NOTE:** Tighten the locknuts so that the wheels still spin freely.



#### Refer to Figure 4

6. Attach warning label to trap door, align trap door with the "C" brace and using pliers secure in place with 5/8" hog rings provided.



– continued on other side –

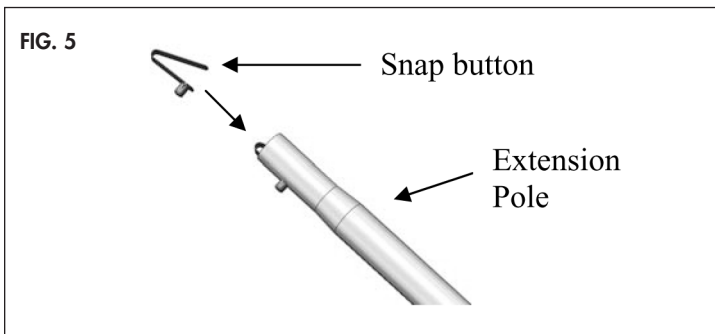
**GARELICK**

# Assembly and Operating Instructions for: Roof Snow Rake – Snow Trap Series Models 89516 & 89521

(continued from other side)

## Refer to Figure 5

7. Squeeze the legs of the snap button together and insert into the hole of the swaged (reduced) end of the extension pole.
8. Slip Grip over end of one of the extension poles (opposite snap button). **NOTE:** Grip will go on easier by heating in warm water first.
9. To assemble your rake for use, depress snap button on the extension pole. Insert the swaged (reduced) end of the tube into the end of the angled tube, align both holes and snap button will pop out securing the sections together. Repeat these steps for each additional section until your rake is completely assembled.



This completes the basic assembly of your roof snow rake. Additional 5 foot extension poles (Model #89005) are available at your local store.

## Replacement Parts List:

Part Number	Description
03.232	Snap button
03.846	Hog Ring 5/8"
08.832	Axle
49.815	Hardware (nuts, bolts, etc.)
61.006	Front Section
61.009	"C" Brace
61.010	Trap Door
61.012	Support Brace
89005	Extension Pole

**GARELICK**

Phone: 651-459-9795

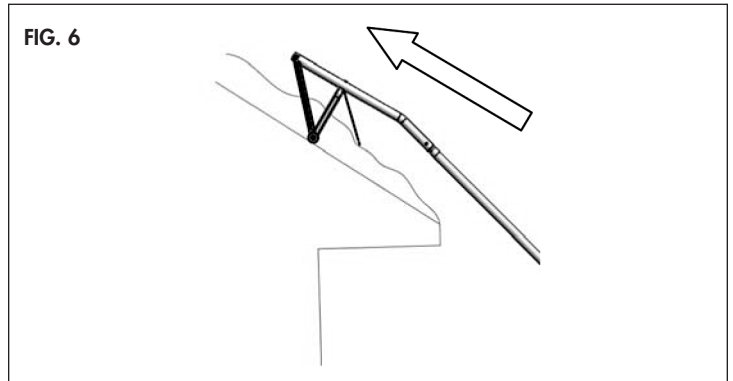
E-mail: mail@garelick.com

On the Web: www.garelick.com

## OPERATION INSTRUCTIONS

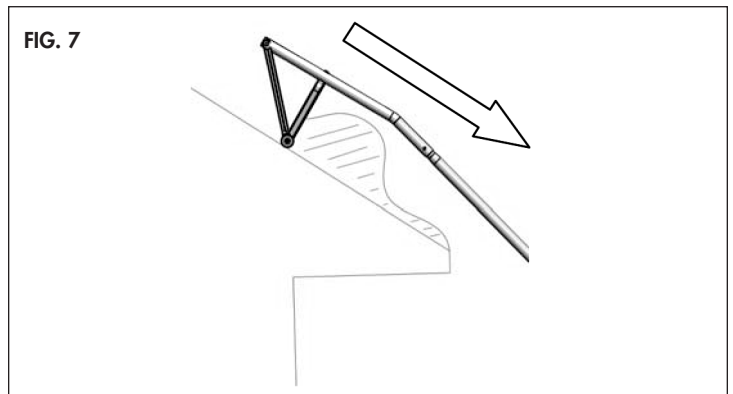
### Refer to Figure 6

Roll the roof snow rake up the roof, cutting the snow as you go. The trap door will open during this stage to allow snow to pass through the system.



### Refer to Figure 7

Pull back on the roof snow rake and the trap door will shut allowing snow to be pulled off of the roof.



Repeat the process until snow is removed.



## WARNING



- THIS TOOL IS DESIGNED TO PULL SNOW FROM ROOFS. IT IS MADE OF ALUMINUM SO THAT IT WILL BE LIGHTWEIGHT AND EASY TO HANDLE. **IT IS NOT MADE TO REMOVE OR CHOP ICE FROM THE ROOF OR GUTTERS.**
- **DO NOT USE NEAR ELECTRIC WIRES OR TRANSFORMERS.**