



# Installation Instructions for Surface Mount Table Hardware

Form 12.552

## Installation Instructions:

### Hardware Required:

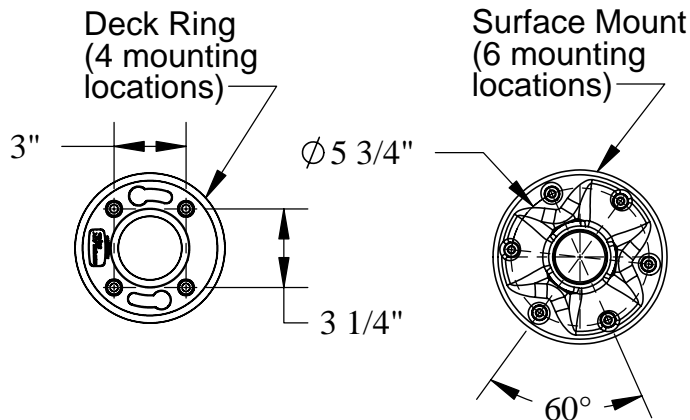
Mounting hardware has not been provided. It is recommended that 1/4" to 5/16" stainless steel screws of sufficient length be used. When mounting items to a deck, bolting through the deck is recommended.

### Deck Ring:

- Determine the desired location of the deck ring. Using the deck ring as a template, mark the position of the fasteners.  
**CAUTION:** Insure area under the deck, directly below the marked holes is free from obstacles such as fuel tanks, hoses, electrical wires, etc.
- Using the marks from step 1, drill holes and secure the deck ring with appropriate fasteners.
- Make sure socket area is clean and ready for use.

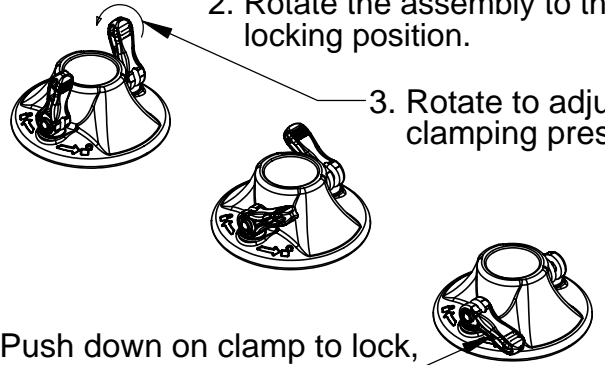
### Surface Mount:

- Determine the desired location of the surface mount on the table bottom surface. Using the surface mount as a template, mark the position of the fasteners.
- Using the marks from step 4, drill pilot holes and secure the surface mount with appropriate fasteners.  
**CAUTION:** Insure when drilling and fastening hardware that items do not penetrate the top surface of the table.
- Make sure socket area is clean and ready for use.



## Operating Instructions:

- Insert the deck mount assembly into the deck ring keyways.
- Rotate the assembly to the locking position.
- Rotate to adjust clamping pressure.
- Push down on clamp to lock, lift up on clamp to open.



## TYPICAL SURFACE MOUNT TABLE HARDWARE INSTALLATION DEPICTION

