



# Models 19853/19854/19873/19874 "Gull Wing Step" Boarding Ladders

## Parts List

### Model 19853/19854/19873/19874 Sport/Diver Ladders

Ref. Letter	Factory Part No.	No. Req.	Description
A	06.347	1	Mounting Substrate
B	08.280	1	Face Plate
C	03.653	1	Clevis Pin
D	03.654	1	Lanyard

## ASSEMBLY INSTRUCTIONS

1. Check parts against parts list.
2. Read instructions completely before starting assembly.
3. **Note: Some hardware mounting is required. Therefore, a power drill, drill bits, wrench or screwdriver is required, depending on the type of mounting bolts and screws used.**
4. Mounting bolts and screws are not supplied with ladder due to the wide variety of mounting surfaces.

## REQUIRED HARDWARE

**NOTE:** The following parts are **not included** due to the variety of possible installations.

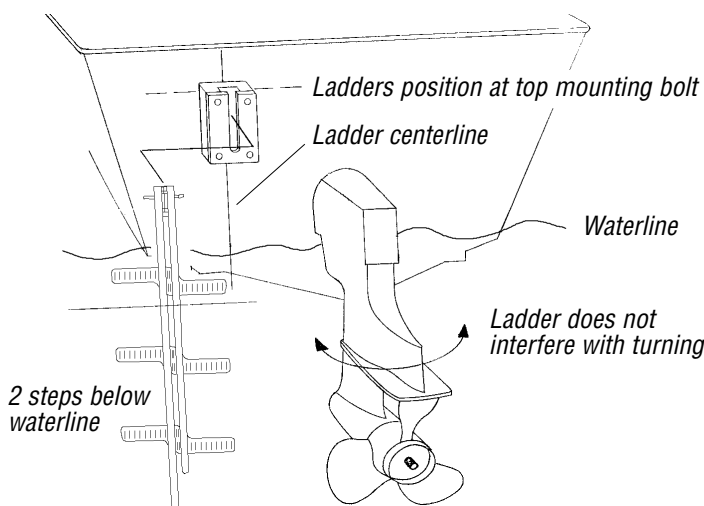
- 4 Suitable length 5/16"-18 stainless steel bolts  
*NOTE: Bolts should be at least 1-1/4" longer than transom and backing plate thickness.*
- 4 Suitable stainless steel backing washers
- 4 5/16"-18 stainless steel lock nuts
- Marine adhesive/sealant and anti-seize compound
- Backing plate (minimum size 4" x 5-1/2") of suitable material

## MOUNTING INSTRUCTIONS – 99195 QUICK RELEASE

Refer to Fig. 1

1. Choose the most suitable side of transom for mounting ladder.
2. Locate a place on the transom where the ladder will mount and not interfere with the turning and lowering operation of your motor. Determine the actual waterline when the boat is at rest. Mark this location in both the horizontal and vertical direction.
3. Locate the ladder on this mark and slide it up to the desired mounting height. Keep in mind that it is optimal to have at least two steps in the water for ease of boarding. Mark the ladder's position at the top of the swivel flange (Fig. 3). **NOTE: This line will locate the top two holes for the mounting plate.**
4. Check the inside of the transom where the mounting is proposed. Verify that there is ample space to install a backing plate (minimum size 4" x 5-1/2") that will support the ladder installation. A 4" x 5-1/2" minimum flat area or the size of your backing plate is required for a secure installation. **NOTE: The backing plate should be made of either aluminum, marine plywood or some other suitable non-compressive material.**

FIG. 1



5. Mark four mounting plate hole locations on your transom or transom extension bracket using the plate as your template. **NOTE: This ladder has an adjustable feature that may accommodate the desired angle; if not, it may be necessary to make an external shim or modify the mounting substrate to achieve the proper ascent angle (5 to 10 degrees) for your ladder. Drill one 11/32" or 3/8" hole through your transom, noting the angle of the mounting substrate hole angle. These holes are perpendicular to the mounting face plate, not the transom. When drilling, this hole angle should be used to insure a proper installation. Place the mounting substrate and faceplate against the boat and loosely mount it with the hardware that you have selected for proper installation.**
6. Level the bracket, mark and drill the next hole. Check the ladder for level, make adjustments if necessary and then, drill the other two holes.
7. Put a bead of adhesive caulk around the perimeter of the mounting holes and all edges of the mounting substrate, coat the bolt threads with anti-seize compound and secure the mounting substrate in place by tightening all four mounting bolts.

(over)

## OPERATING INSTRUCTIONS

Refer to Fig. 2 and Fig. 3

1. Both the 3- and 4-step ladders open in a similar fashion.
2. Rotate one of the steps counter-clockwise to open the ladder.
3. Rotate one of the steps clockwise to close the ladder.
4. To adjust the angle of the ladder with respect to the mounting surface, remove nut and bolt “F” and adjust the angle for comfort and ease of use.



## WARNING



**NO JUMPING! NO DIVING!**

## SAFETY INSTRUCTIONS

- DO NOT USE WHEN MOTOR IS RUNNING.
- THIS LADDER DESIGNED FOR BOAT USE ONLY.
- FACE BOAT WHEN ENTERING BOAT OR WATER.
- ONLY ONE PERSON ON THE LADDER AT A TIME.
- CHECK ALL STEPS AND HARDWARE BEFORE USING.

## 99194 OPTIONAL STORAGE BRACKET MOUNTING INSTRUCTIONS

Refer to Fig. 4 (“E” – Storage Bracket, part #06.348, qty. 2)

1. Place mounting brackets “E” in desired location. Mark mounting holes using the brackets as a template. Remove brackets.
2. Drill appropriate holes for fastener selected (not included).
3. Make sure fastener head is recessed in mounting block so as not to interfere with the hanging of the ladder.
4. Secure ladder in position using clevis pin.  
(NOTE: Do not remove clevis pin from lanyard.)

FIG. 2

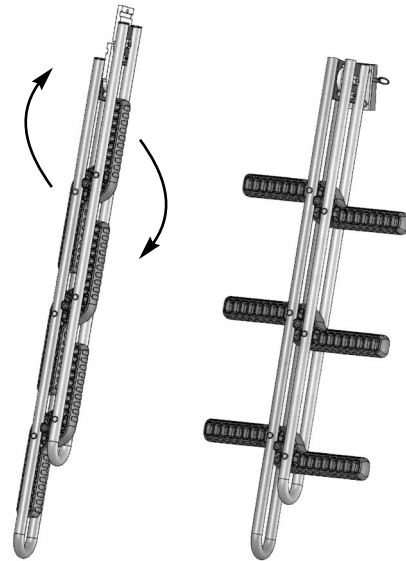


FIG. 3

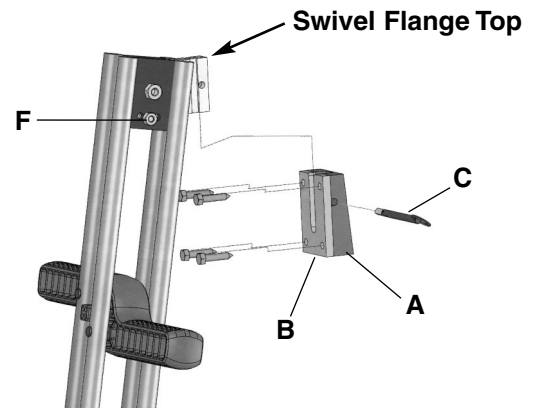


FIG. 4

