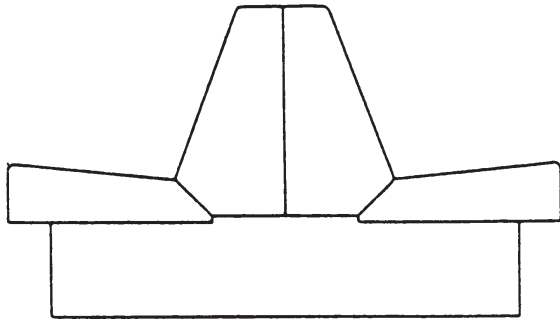




Assembly Instructions for Lounge/Back to Back Seats

Form 12.209



Parts List

Ref. Letter	Factory Part No.	No. Req.	Description
A		1	Seat cushions
B	65.182	1	Leg "U"
C	03.080	6	¼-20x1½" machine screw
D		1	Seat base

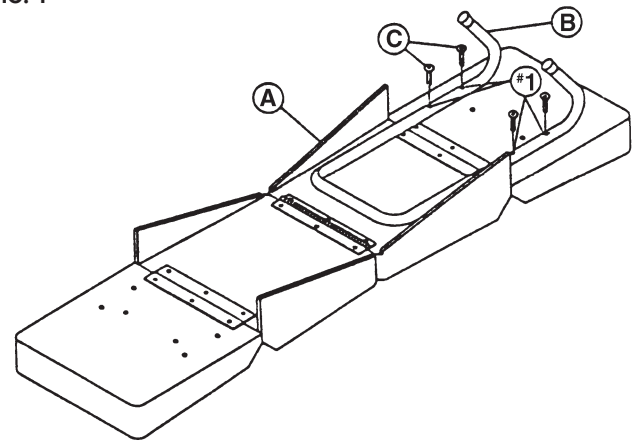
ASSEMBLY INFORMATION

1. Check parts against parts list.
2. Read instructions completely before starting assembly.
NOTE: This product comes in two separate cartons. One contains the seat cushions; the seat base is in the other.

Refer to Fig. 1

1. Lay the seat cushions (A) out as shown, cushion side down, and locate four holes (#1).
2. Take the Leg "U" (B) and lay it on top of the cushions as illustrated. Align holes #1 in it and the seat cushion.
3. Insert 4 screws (C) into holes #1 and secure the Leg "U" in place by tightening screws.

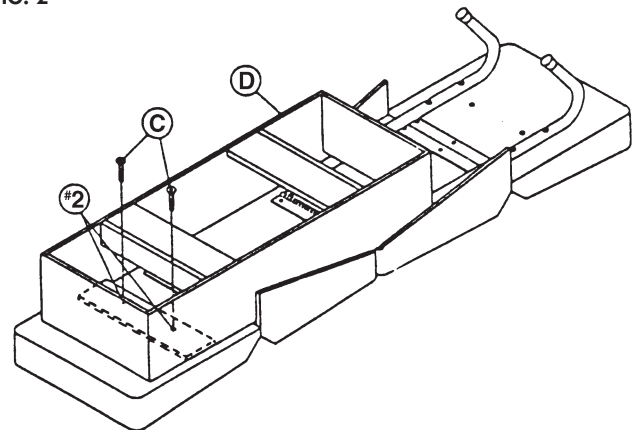
FIG. 1



Refer to Fig. 2

1. Take seat base (D) and place it on top of the seat cushions as illustrated. NOTE: Only one side of the base has the top crosspiece.
2. Align the holes (#2) in the top crosspiece and seat cushion.
3. Insert 2 screws (C) into holes #2 through both base and seat. Secure in place by tightening screws.

FIG. 2



This completes the assembly of the Lounge/Back-to-Back Seat. Carefully turn the assembled seat over. Now, fold the seat up onto the base into "closed" position. NOTE: Be careful to lift up the Leg "U" and guide it into the seatbase when closing in order to avoid scuffing the vinyl cover.

CAUTION: This seat is not intended for an individual to sit on top of the seatback when boat is stationary or underway.