



# Assembly and Installation Instructions for Folding Transom Ladder

Form 12.186

## ASSEMBLY INFORMATION

1. Check parts against parts list.
2. Read instructions completely before starting assembly.

## TOOLS REQUIRED

1. Wrench adjustable to 7/16"
2. Screwdriver
3. Drill
4. Marine adhesive/sealant

## TRANSOM MOUNTING INSTRUCTIONS

1. Choose the most suitable side of transom for mounting ladder.
2. Locate a place on the transom where all four tube ends of ladder make contact with boat and will not interfere with turning operation of motor unit (fig. 1).
3. Place ladder so that when folded down, bottom step should ideally be in water.

When mounting, follow these guidelines:

- A. Keep step surface parallel to water (fig. 1)
- B. Keep ladder perpendicular to centerline of boat (fig. 1).  
NOTE: If necessary to modify ladder, cut and redrill as illustrated in figs. 2 & 3.

4. Mark tube end location at point of contact with transom and attach mounting brackets (A) with appropriate fasteners (B); see fig. 4.

Attach tube ends of ladder to each of the four mounting brackets by inserting bolt (C) through holes in mounting bracket and tube as shown in fig. 4, secure with lock washer (D) and acorn nut (E).

## Parts List Folding Transom Ladder

Ref. Letter	Factory Part No.	No. Req.	Description
A	50.455	4	Mounting bracket
C	03.082	4	¼-20 x 1¾" machine screw
D	03.119	4	¼" lock washer
E	03.037	4	¼-20 H x S.S. acorn nut

FIG. 1

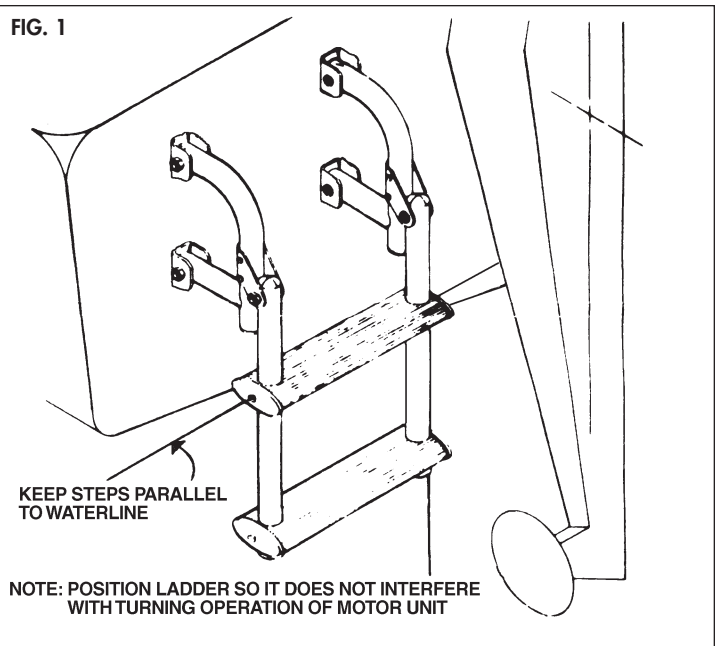


FIG. 2

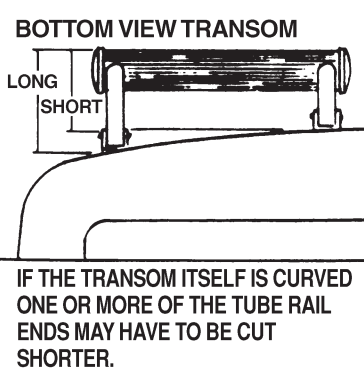


FIG. 3

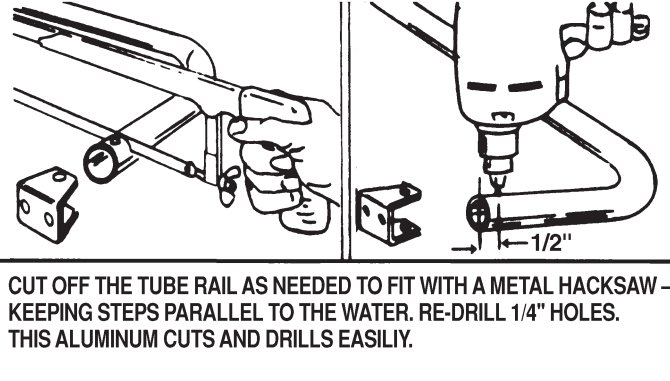
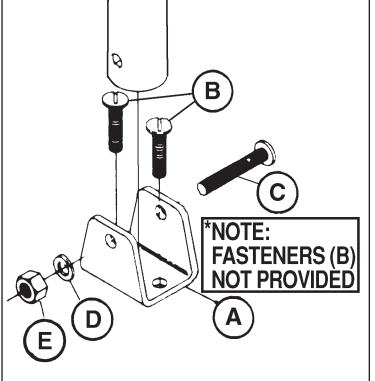


FIG. 4



Write for  
a Complete  
EE3-In Catalog

**GARELICK**  
PO Box 8, 644 2nd Street  
St. Paul Park, Minnesota 55071

Phone: 651-459-9795  
E-mail: mail@garelick.com  
On the Web: www.garelick.com