



Assembly Instructions for Boat Seats

Form 12.137

ASSEMBLY INFORMATION

This instruction sheet is designed to aid in the assembly of several boat seat models. For the assembly of your particular seat, simply follow the sections below that pertain to it.

ARM EXTRUSION ATTACHMENT

1. Position the arm extrusions on the seat bottom and align the holes of both; secure each extrusion with two 1/4-20 x 1-1/4" machine screws (A) as illustrated.

ARM REST ATTACHMENT

1. Position the arm rests on the flat plates of the arm extrusions so that the staples in the end of the rests will face toward the REAR of the seat when mounted (see illustration).

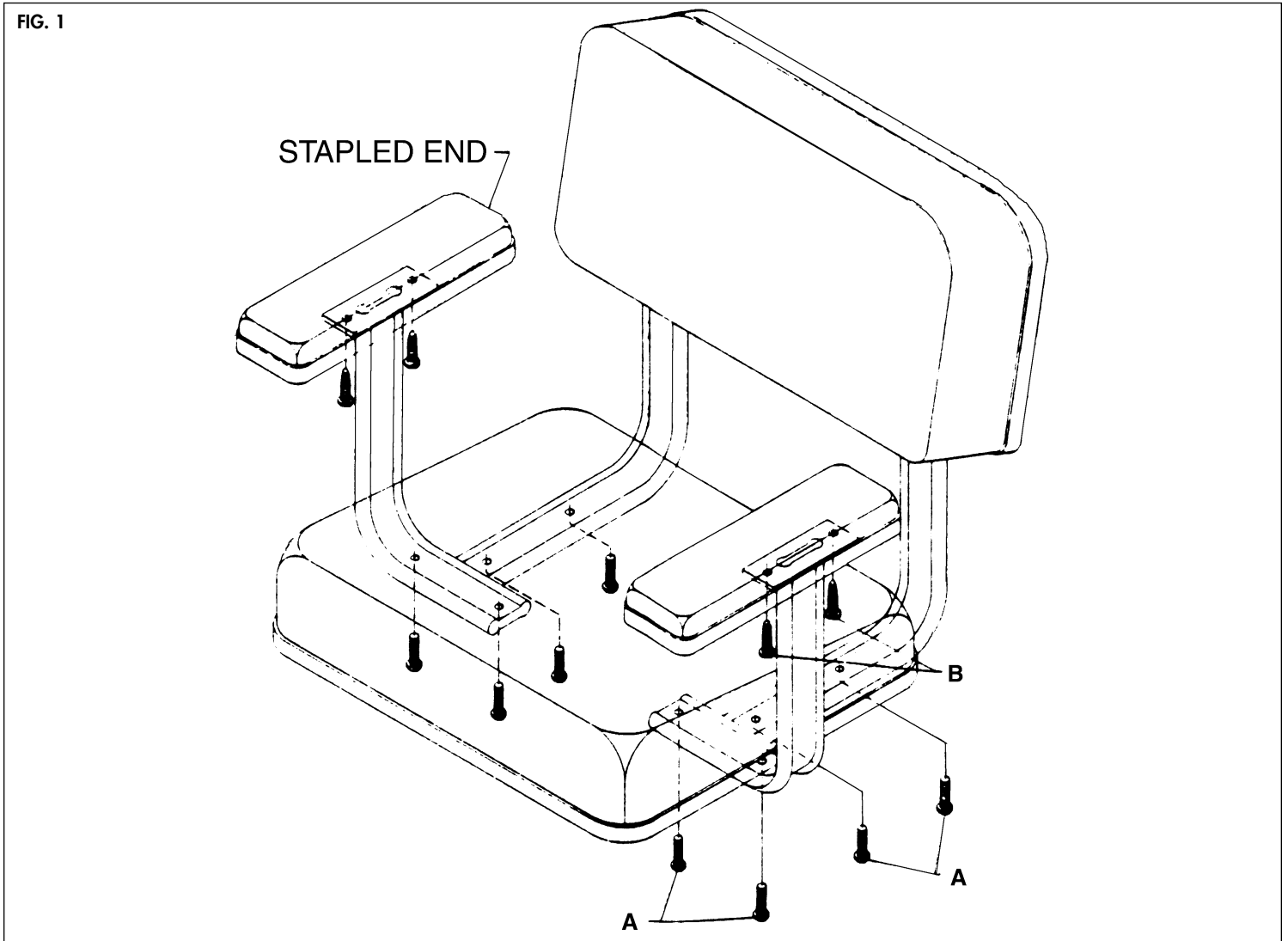
2. Align the holes of the flat plate and arm rest; secure with two #14 x 1-3/4" sheet metal screws (A) as illustrated.

SEAT BACK ATTACHMENT

1. Position the seat back extrusions on the seat bottom and align the holes of both; secure the seat back to the seat bottom with four 1/4-20 x 1-1/4" machine screws (A) as illustrated.

CARE AND MAINTENANCE

CAUTION: This seat should only be cleaned with mild soap and a non-abrasive sponge or cloth.



Write for
a Complete
Ezy-In Catalog

GARELICK
PO Box 8, 644 2nd Street
St. Paul Park, Minnesota 55071

Phone: 651-459-9795
E-mail: mail@garelick.com
On the Web: www.garelick.com