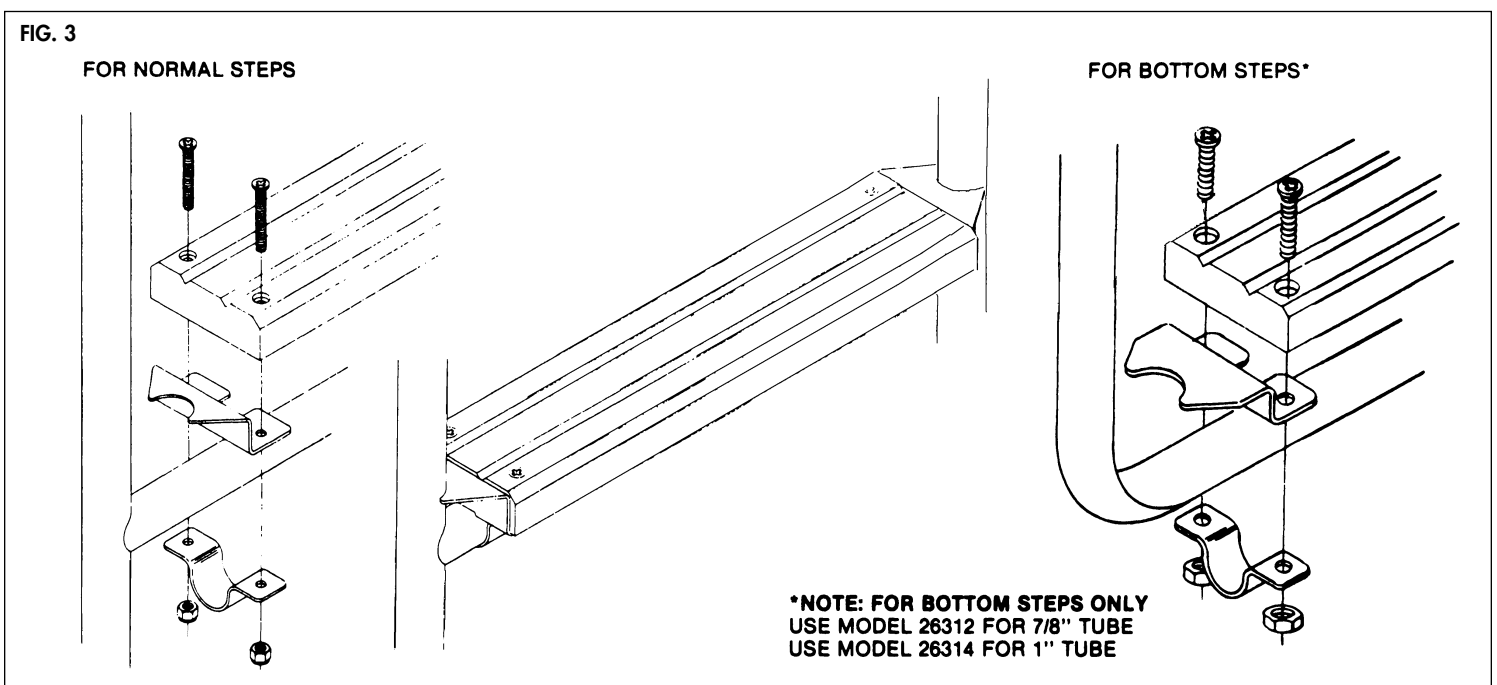
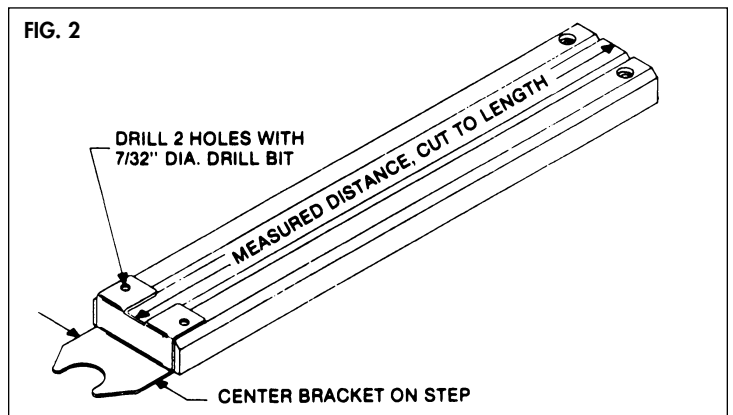
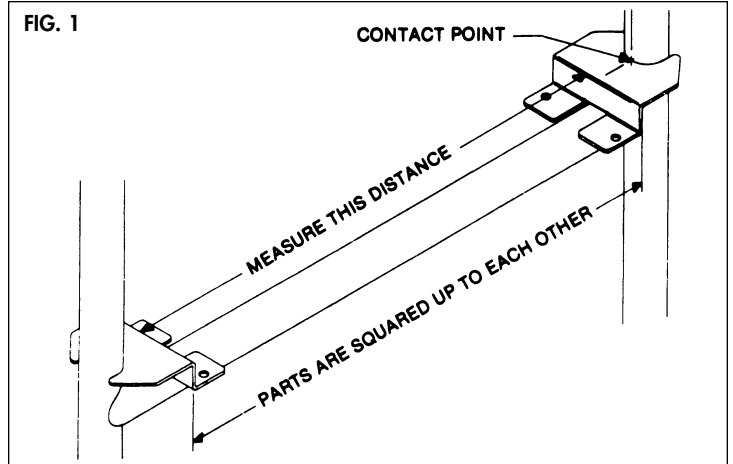




Mounting Instructions for Adapter Steps

Form 12.133

1. (Fig. 1) Place both step end plates on the ladder rung as illustrated. Align the plates so that they are facing each other squarely and make certain that they contact the ladder verticals. Measure the inside distance between the two plates.
2. (Fig. 2) Transfer this distance onto the teak tread and cut it to length. Take a step end plate and place it on the cut end of the teak step, making certain that it is flush with the end as illustrated. Transfer these two holes onto the step and drill them with a 7/32" drill bit. Countersink these holes if it is desired.
3. (Fig. 3) Assemble the step adapter using the hardware provided as illustrated.



Write for
a Complete
EEz-In Catalog

GARELICK
PO Box 8, 644 2nd Street
St. Paul Park, Minnesota 55071

Phone: 651-459-9795
E-mail: mail@garelick.com
On the Web: www.garelick.com